

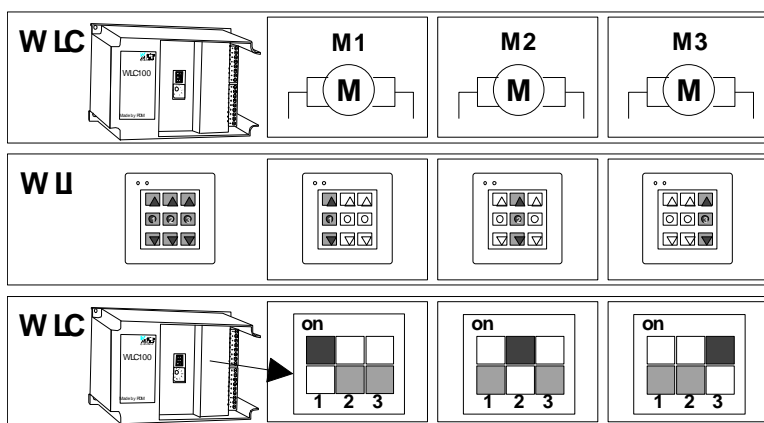
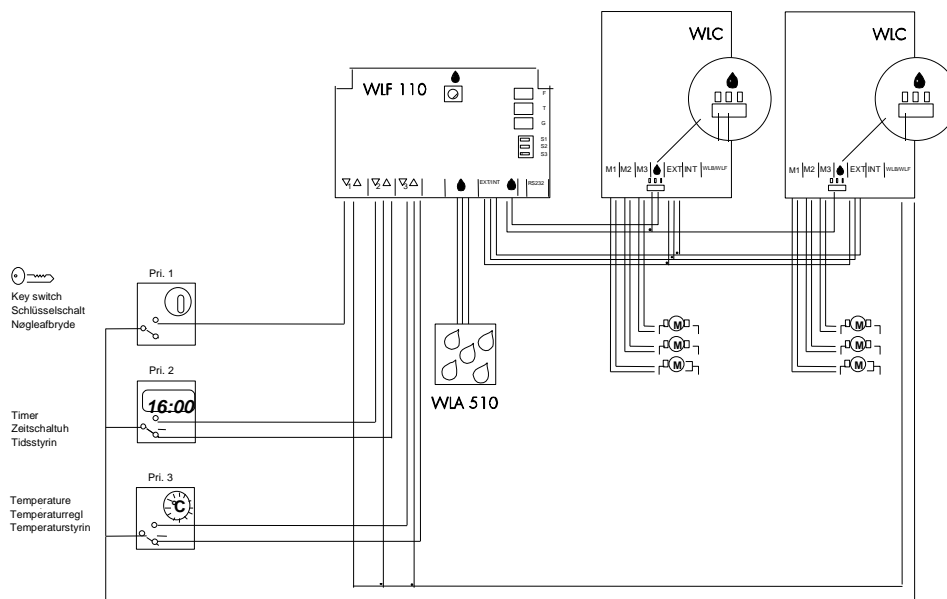
WLF 111 Connection

Settings: Switch F (14): Position "3"
 Switch T (12): Position "1"
 Switch G (11): Position "A" (The rainsensor WLA 510 are only to be set in position "A")

Connection between the WLF 110/111 and the sensors is illustrated below.

In the example potential free switches are used. Auxiliary voltage is taken from the WLC's 24 V DC terminal as shown in the first picture.

Note; Thermostat is connected in the same inputno. on WLF 111 as on the motoroutputno. on WLC 100.



Rain sensor

WLA 510 can be connected to the rain sensor terminal (4) of the WLF 110/111 in accordance with the colour codes. Also, terminal 6 (grey and black wire) is connected to the WLC. If additional WLCs are connected, they are to be linked by the black wire. When the sensor is wet, a closing command is sent every 20. seconds.

On WLC 100 the sensorentrance is activated on the motorlines which are to be activated by rain.

The sensitivity of the WLA 510 is adjusted by turning the potentiometer ;
 Turning clockwise - lower sensitivity. Turning counter-clockwise - higher sensitivity.

Germany & Austria:

WindowMaster GmbH
 Hellerweg 180
 D-32052 Herford
 Deutschland

Tel.: 05221 6940 500
 Fax: 05221 6940 610
 info@WindowMaster.de
 www.WindowMaster.de

Switzerland:

WindowMaster AG
 Industriestrasse 7
 CH-4632 Trimbach
 Schweiz

Tel.: 062 289 22 22
 Fax: 062 289 22 20
 info@WindowMaster.ch
 www.WindowMaster.ch

United Kingdom & Ireland:

WindowMaster Control Systems Ltd.
 Kettering Parkway
 Kettering
 Northants NN15 6XR
 United Kingdom

Tel.: 01536 510990
 Fax: 01536 526321
 info@WindowMaster.co.uk
 www.WindowMaster.com

Denmark, Sweden & other markets:

WindowMaster A/S
 Skelstedet 13
 DK-2950 Vedbæk
 Denmark

Tel.: +45 4567 0300
 Fax: +45 4567 0390
 info@WindowMaster.dk
 www.WindowMaster.com