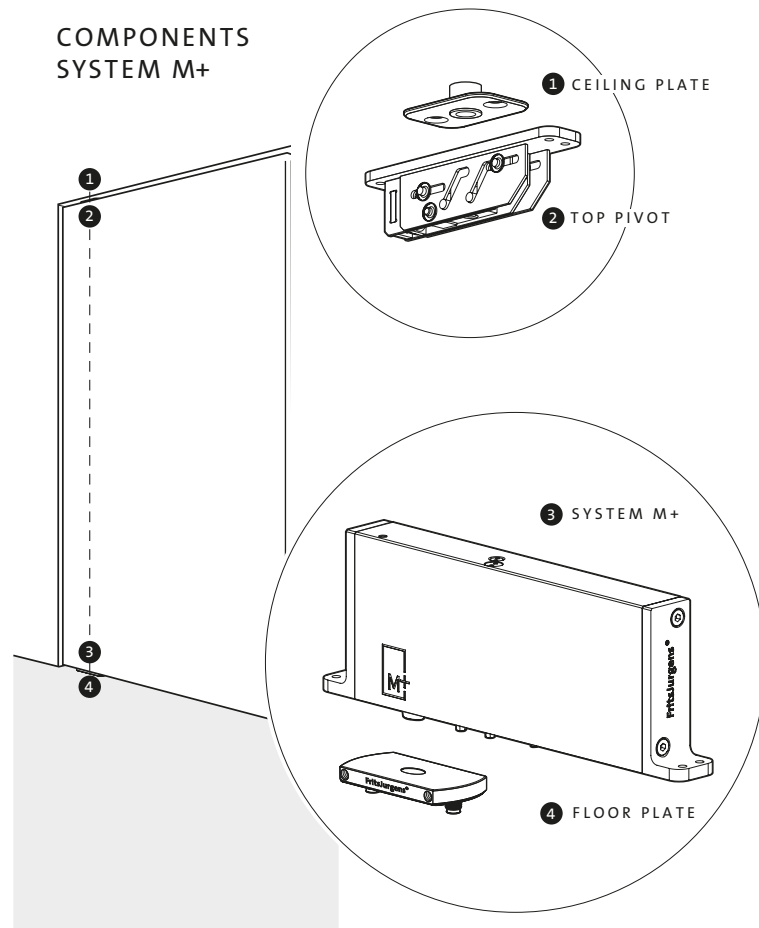


COMPONENTS SYSTEM M+



INT-1.0-2020
MOUNTING MANUAL

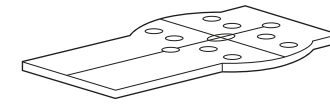
FritsJurgens®

SYSTEM M+

MOUNTING KIT



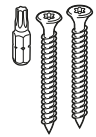
(EXTRA) MOUNTING PINS
STEP: 11



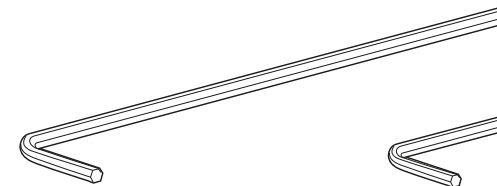
FITTING TEMPLATE
STEP: 2 3 4



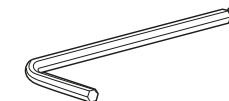
FITTING ADHESIVE
STEP: 5 6 8



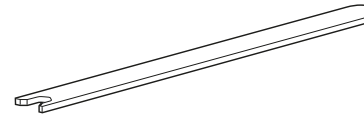
TORX BIT TX20, SCREWS (4X50)
STEP: 8



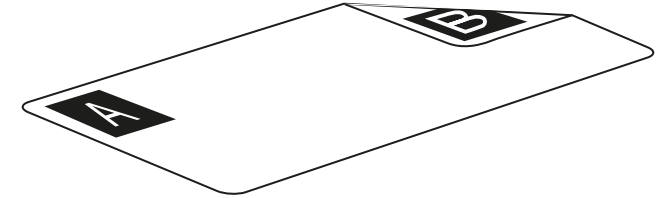
ALLEN WRENCH
STEP: 10
OPTIONAL STEP: 2



ALLEN WRENCH
OPTIONAL STEP: 1

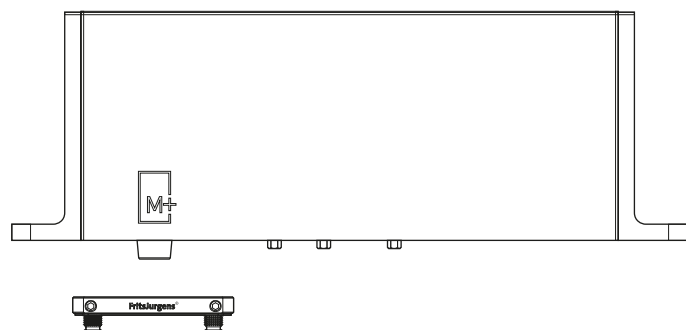


ADJUSTMENT SPANNER
OPTIONAL STEP: 3



DOUBLE-SIDED FINE-TUNING SHEET
OPTIONAL STEP: 3

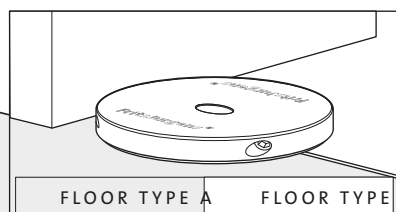
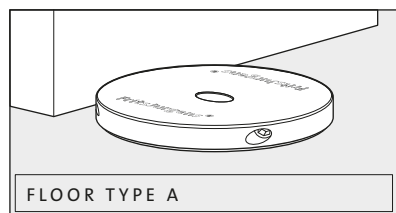
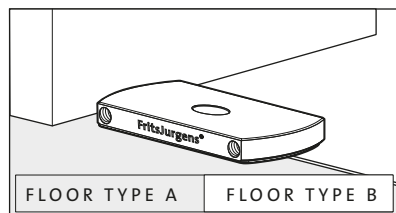
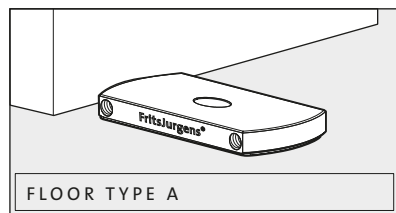
FRITSJURGENS®
+31 598 343 410
INFO@FRITSJURGENS.COM
WWW.FRITSJURGENS.COM



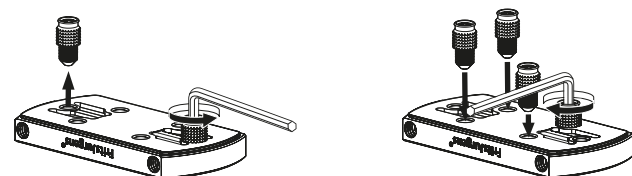
ALSO CONSULT THE ONLINE MANUAL

STEP 1

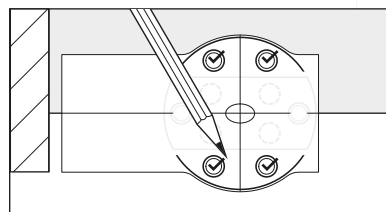
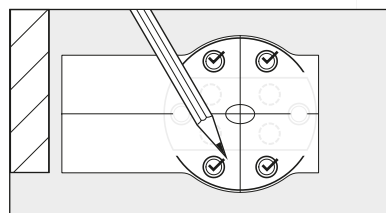
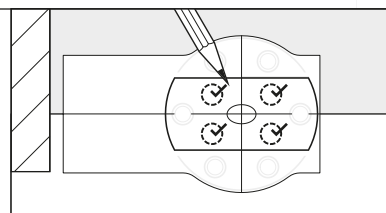
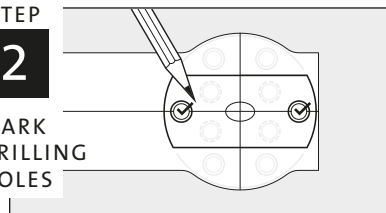
SELECT THE FLOOR PLATE

**STEP 1.1**

PREPARE THE FLOOR PLATE

**STEP 2**

MARK DRILLING HOLES



! PLACEMENT OF FITTING TEMPLATE

B min 91.0mm

X

E

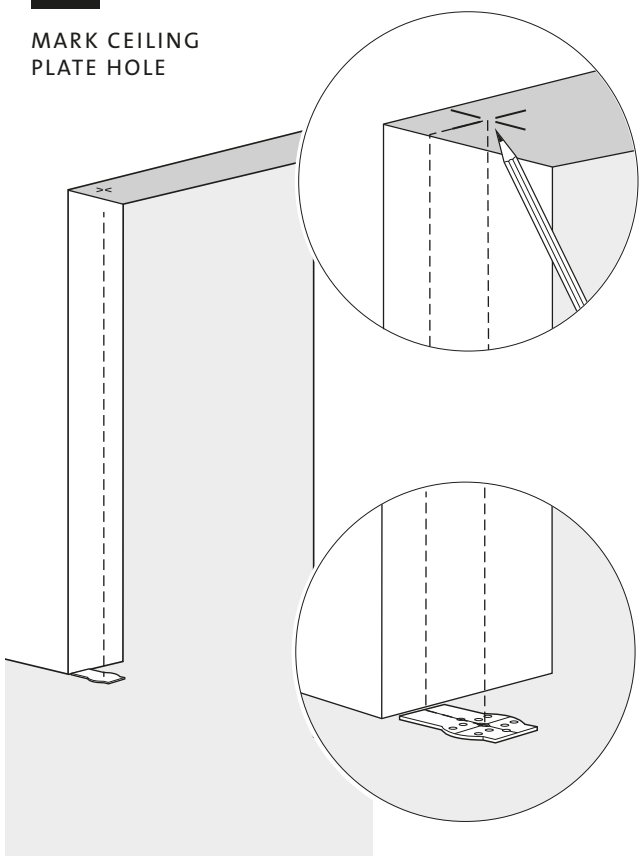
CONSULT THE ONLINE GAP CALCULATOR

	40	50	60	70	80	90	100	X
B								
91	4	5	7	9	10	12	15	
250	3	3	4	4	5	6	7	
500	2	3	3	3	4	4	5	
1000	2	2	3	3	3	3	3	
1500	2	2	2	2	2	3	3	
2000	2	2	2	2	2	2	3	

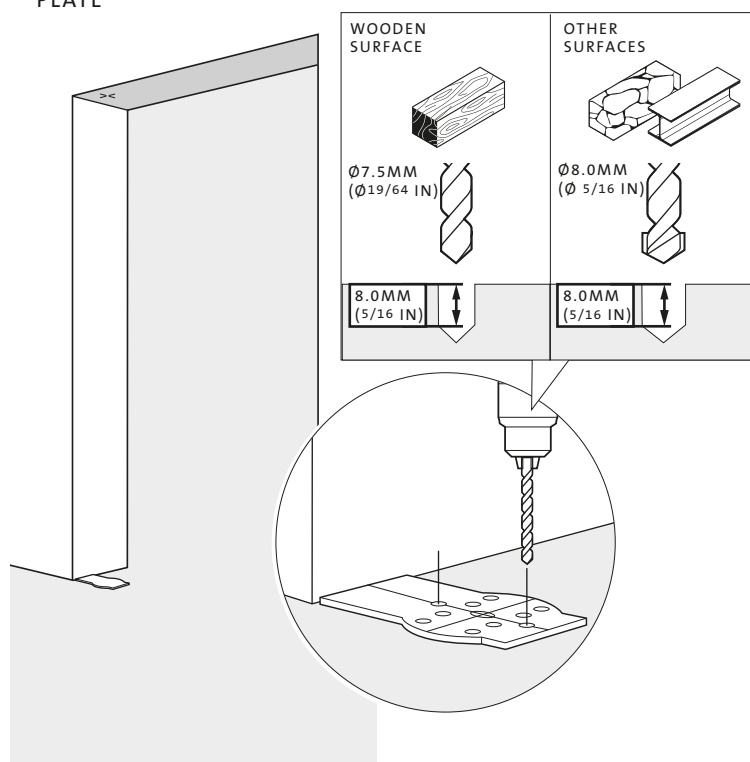
E MINIMUM GAP BETWEEN DOOR AND WALL (IN MM)
B DISTANCE PIVOT POINT TO BEGINING EDGE OF DOOR (IN MM)
X DOOR THICKNESS (IN MM)

STEP 3

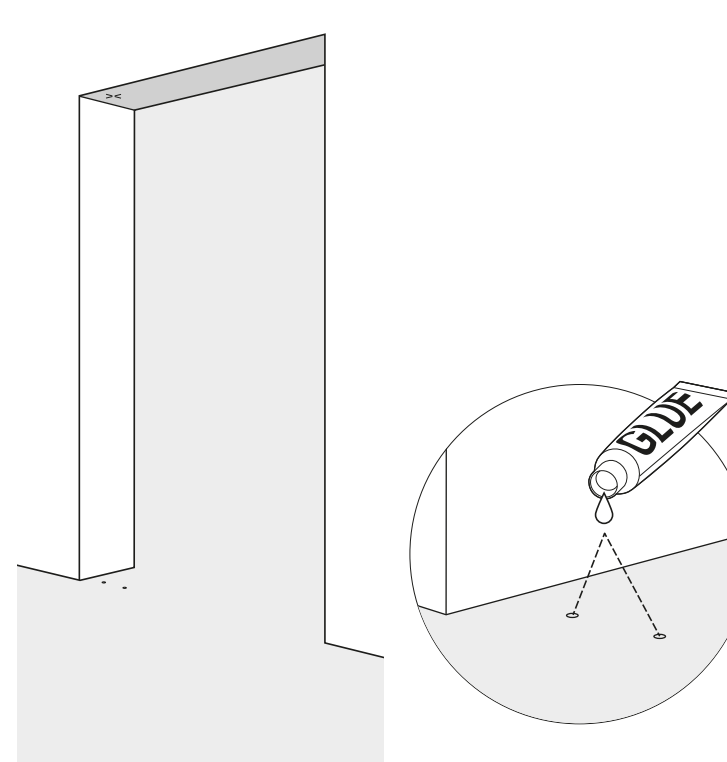
MARK CEILING PLATE HOLE

**STEP 4**

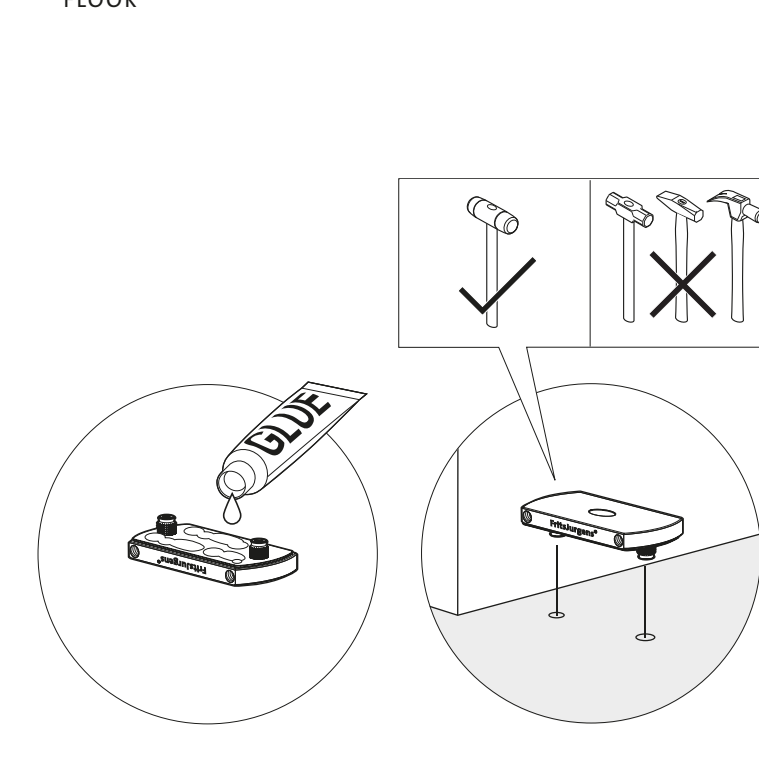
DRILL HOLES FOR FLOOR PLATE

**STEP 5**

ADD GLUE TO HOLES

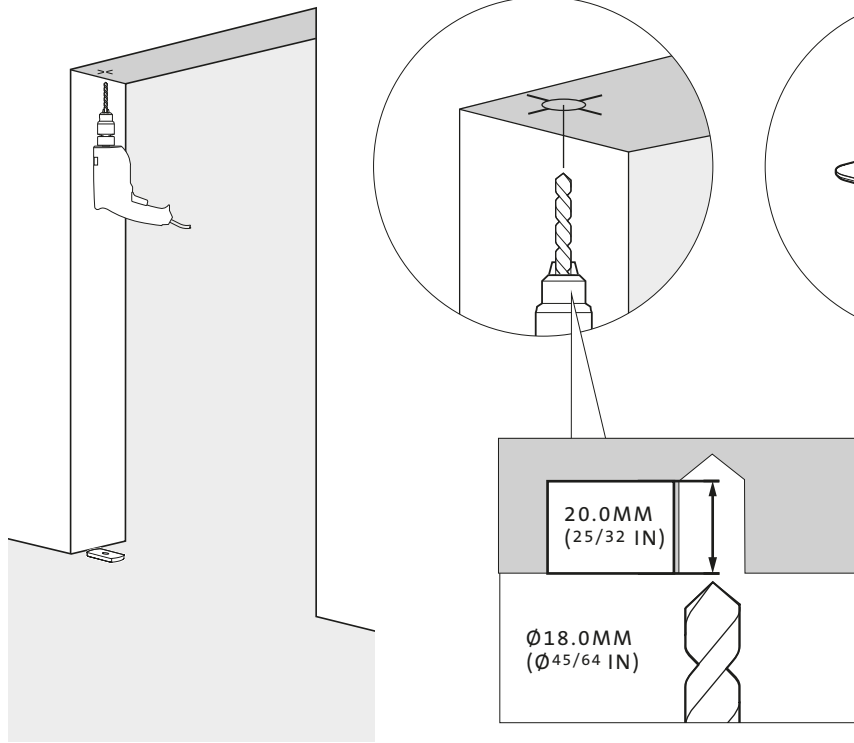
**STEP 6**

AFFIX FLOOR PLATE TO FLOOR



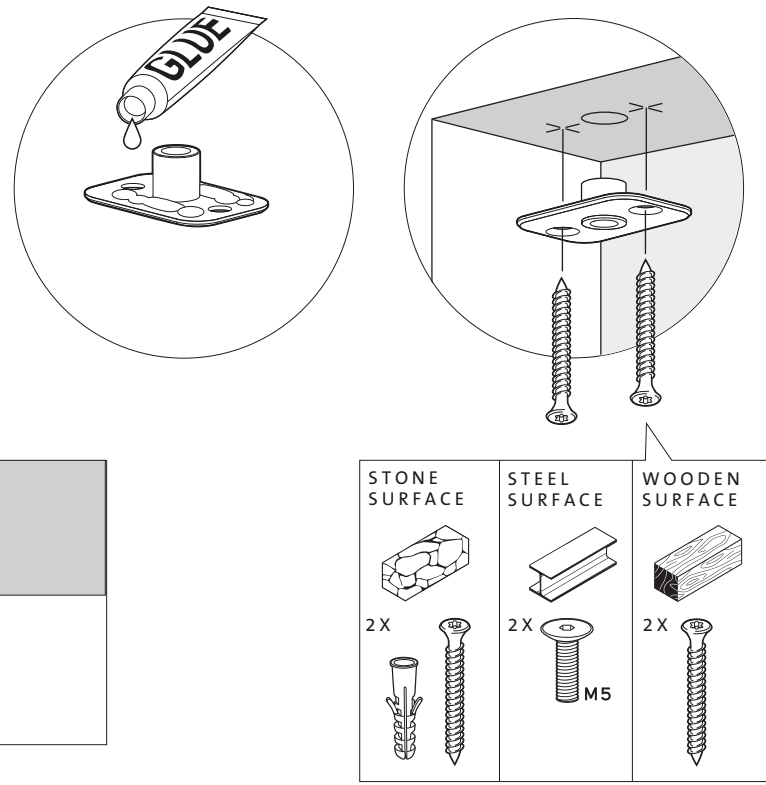
STEP 7

DRILL HOLE FOR CEILING PLATE



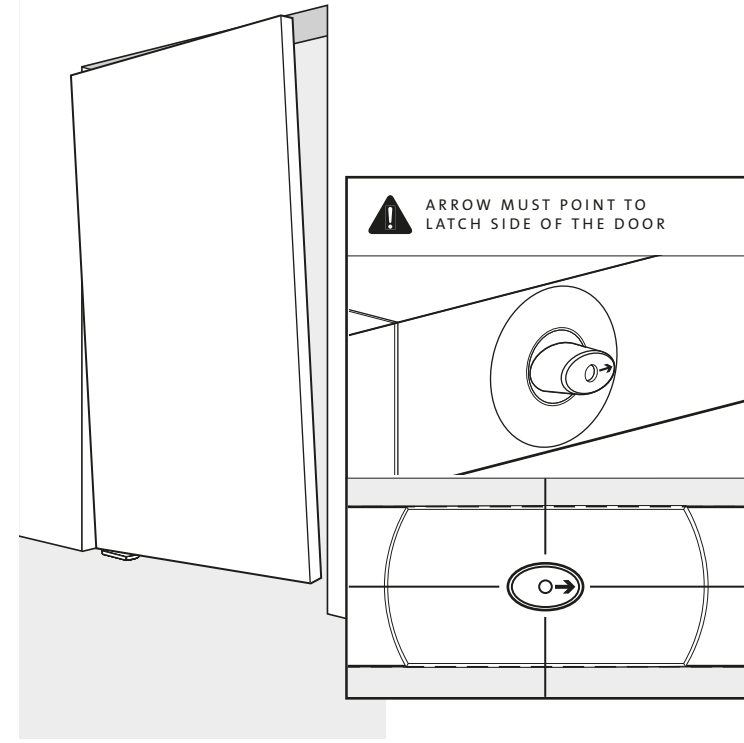
STEP 8

AFFIX CEILING PLATE



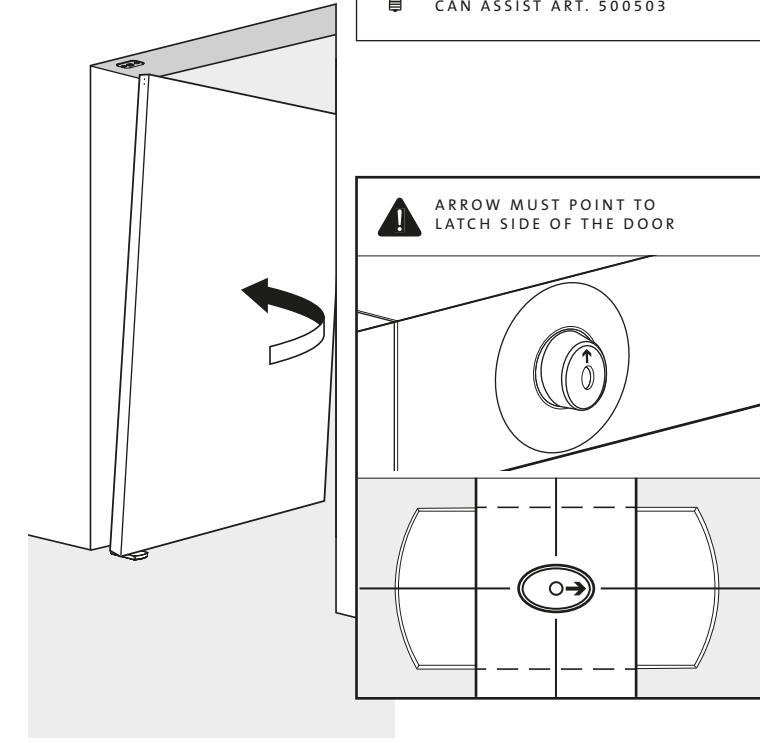
STEP 9

PLACE THE DOOR



STEP 9.1

PREPARE SYSTEM M+

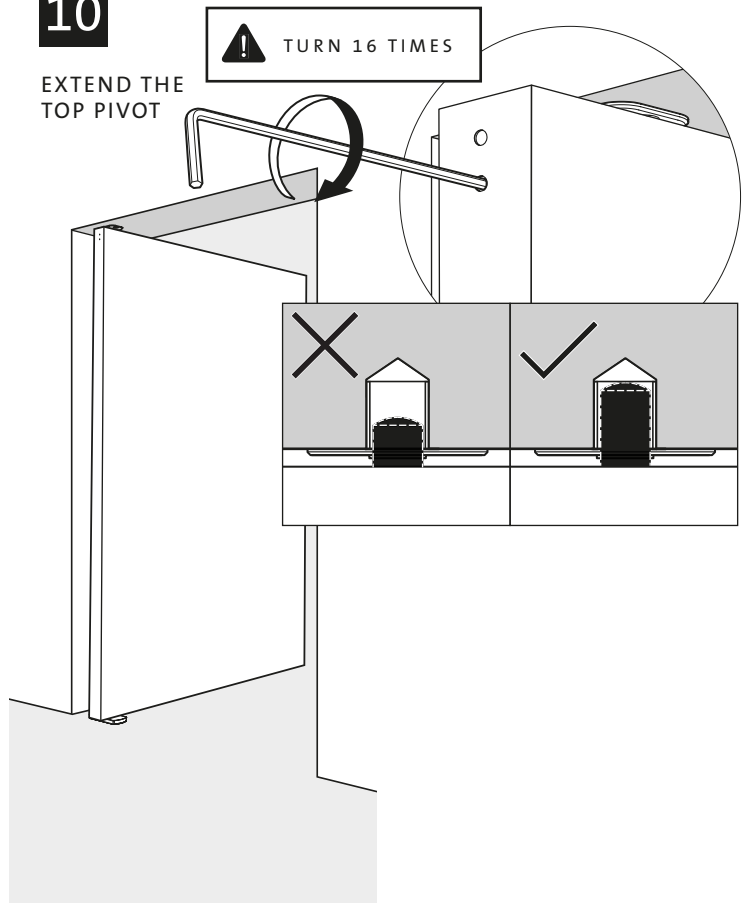


THIS VIDEO CAN ASSIST WITH THIS STEP

THE SYSTEM M AXLE WRENCH CAN ASSIST ART. 500503

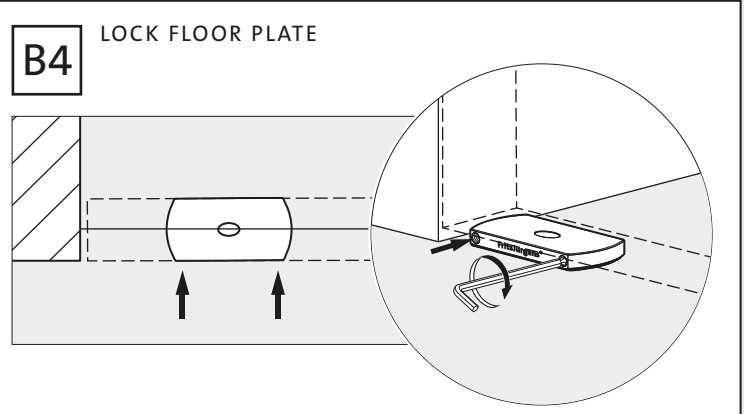
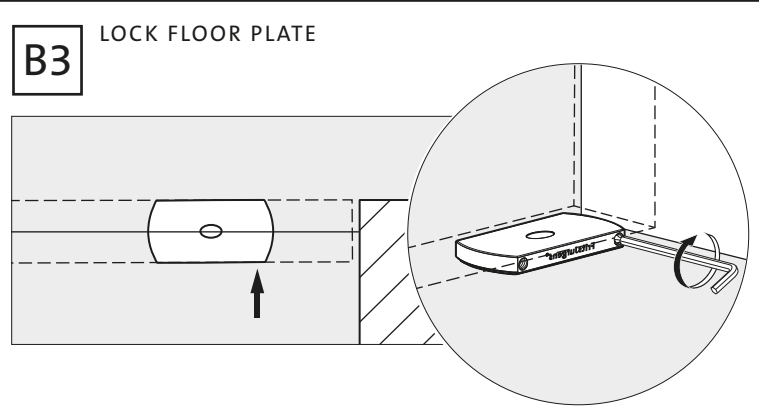
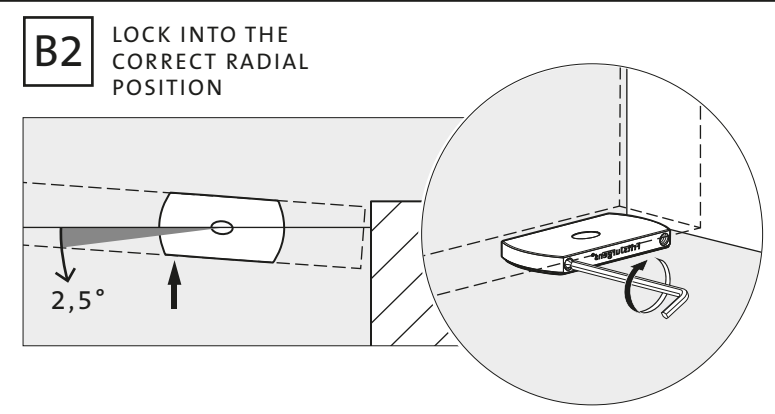
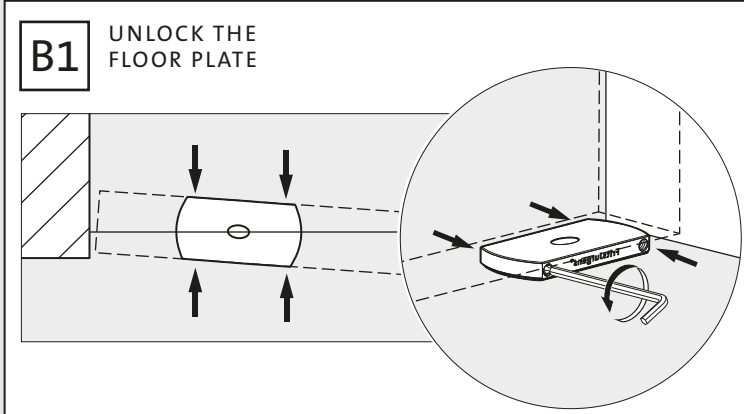
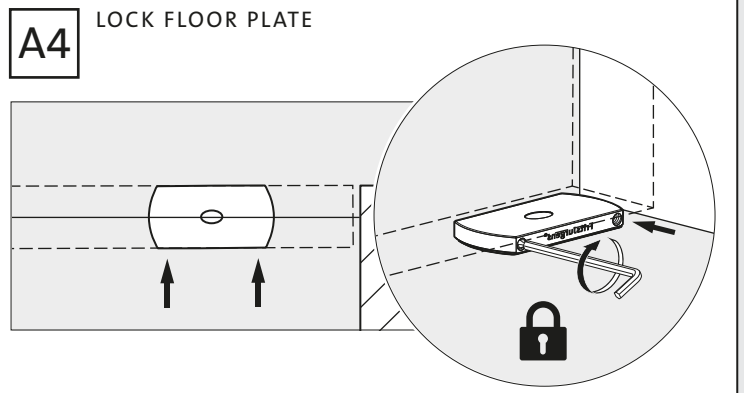
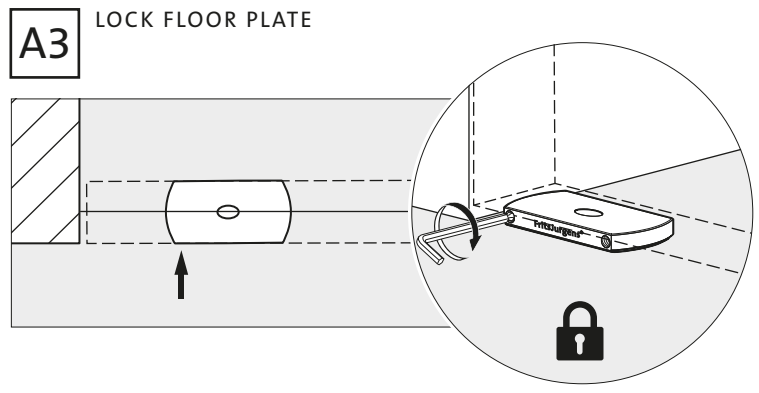
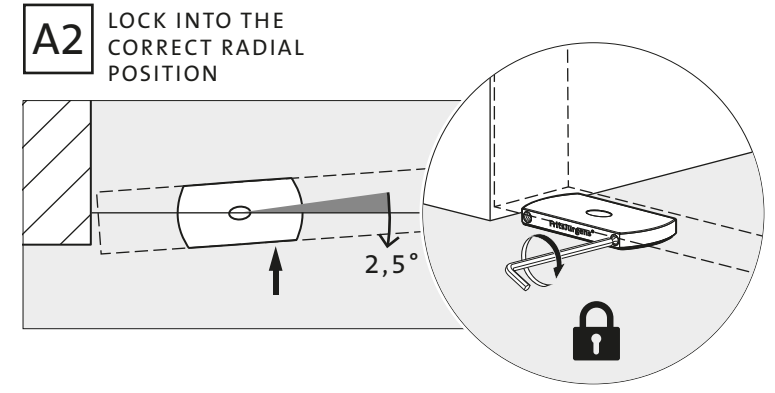
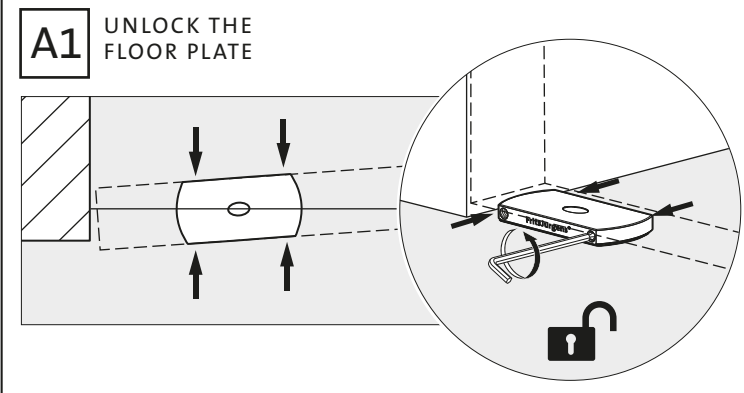
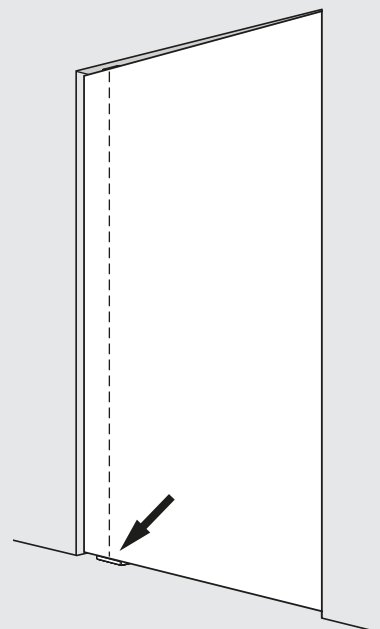
STEP 10

EXTEND THE TOP PIVOT



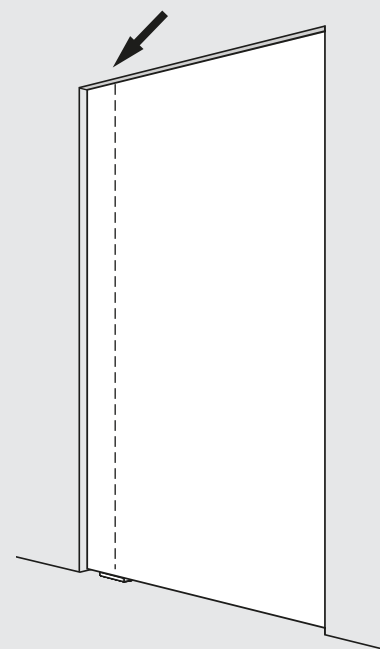
1

OPTIONAL:
FINE-TUNE THE
RADIAL POSITION



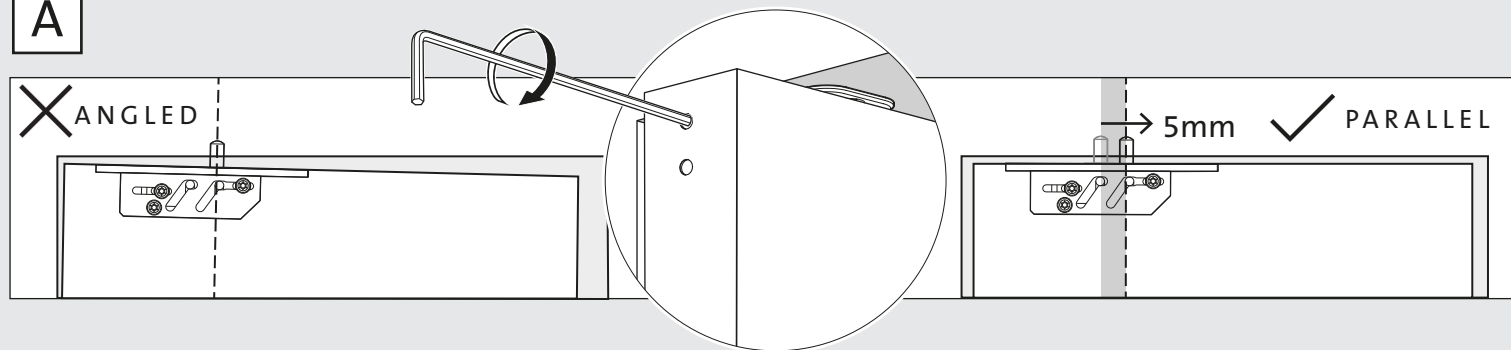
2

OPTIONAL:
FINE-TUNE THE
CLOSING SEAM



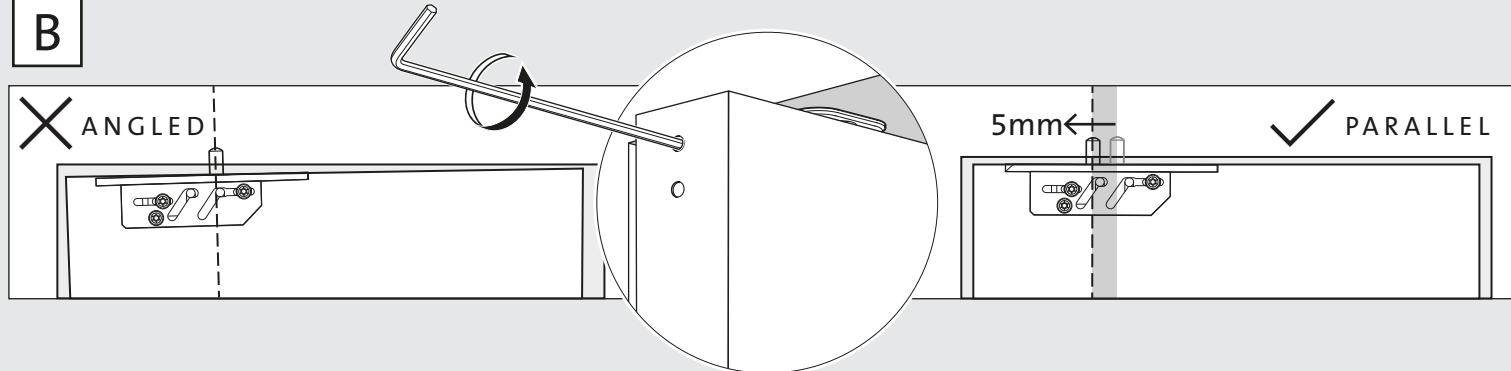
OPTION

A



OPTION

B

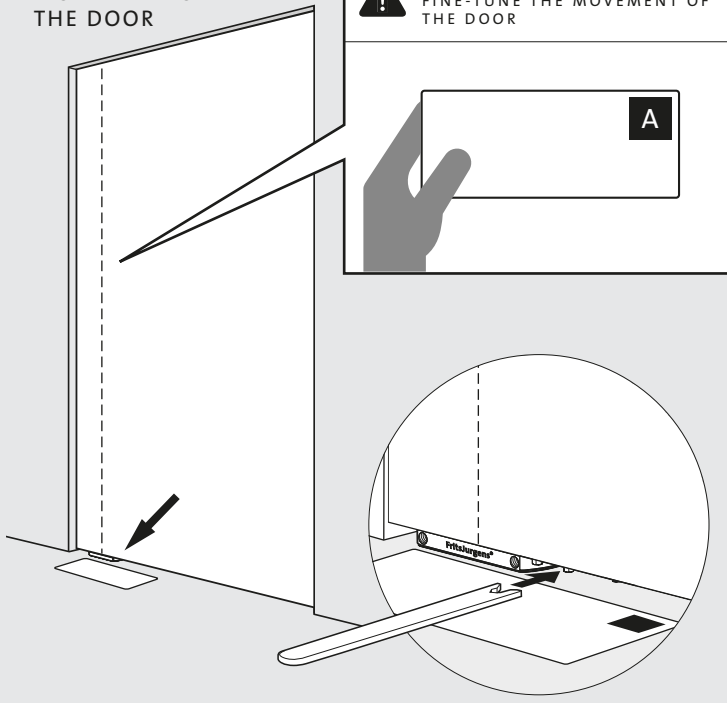


3

OPTIONAL:
FINE-TUNE THE
MOVEMENT OF
THE DOOR

THIS VIDEO CAN ASSIST WITH THIS STEP

USE REFERENCE SHEET TO FINE-TUNE THE MOVEMENT OF THE DOOR



Fritslungens®

STEP 1

STEP 1

STEP 2

DAMPER

STEP 3

SPEED

EXTRA L

LATCH

LATCH

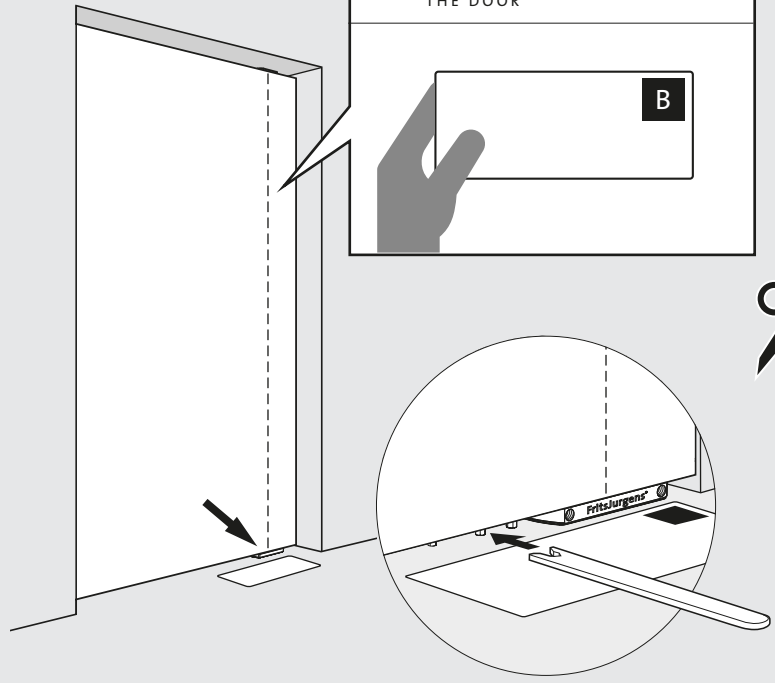
DAMPER

SPEED

WATCH INSTRUCTION VIDEO

A

USE REFERENCE SHEET TO FINE-TUNE THE MOVEMENT OF THE DOOR



Fritslungens®

STEP 1

STEP 1

STEP 2

DAMPER

STEP 3

SPEED

EXTRA L

LATCH

SPEED

DAMPER

LATCH

WATCH INSTRUCTION VIDEO

B